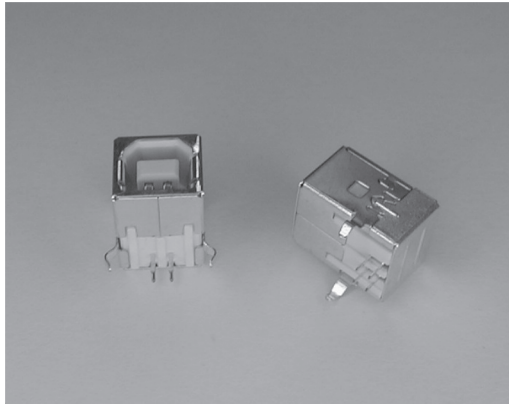


620/USB B Type



MATERIAL:

1. HOUSING : PBT + G.F. UL94V-0.
2. CONTACT : PHOSPHORBRONZE.
3. SHIELD : PHOSPHOR BRONZE.

FINISH:

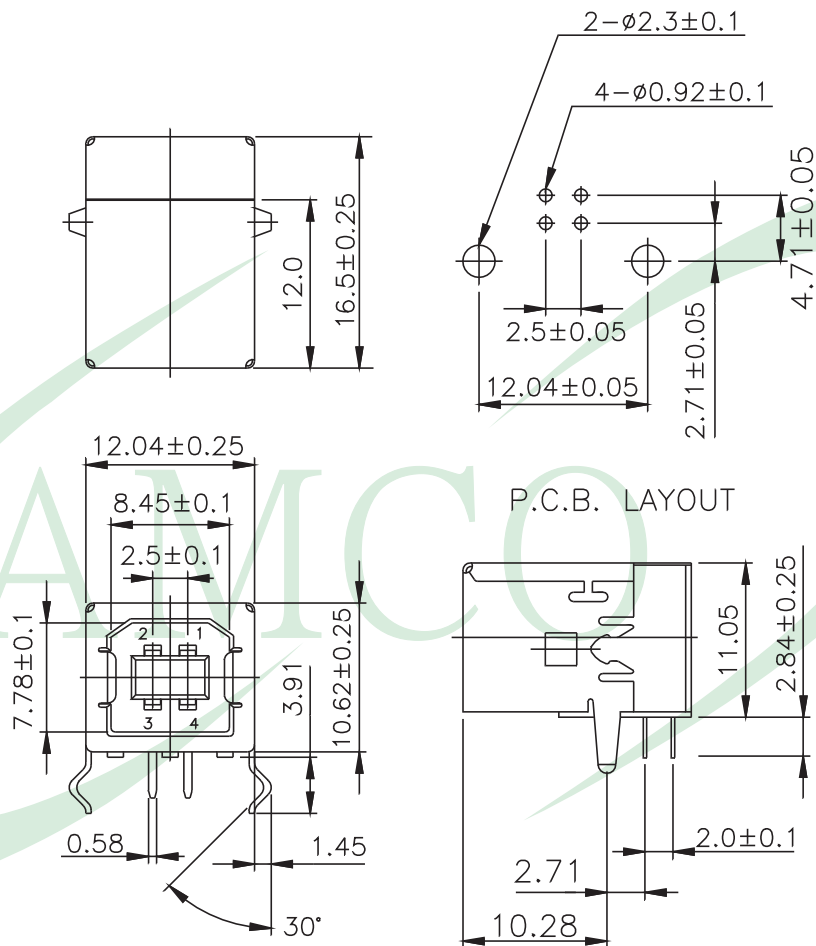
1. CONTACT : G/FOVER Pd-Ni 30u".
2. SHIELD : LIGHT TIN 120u"(MIN.)OVER Cu 100u"(MIN).

ELECTRICAL :

1. CONTACT RESISTANCE : 30 MILLIOHMS MAX.
2. DIELECTRIC WITHSTANDING VOLTAGE : 750 VAC AT SEA LEVEL.
3. INSULATION RESISTANCE : 1000 MEGOHMS MIN.

MECHANICAL :

1. MATING FORCE : 3.57KG MAX.
2. UNMATING FORCE : 1.02KG MIN.



620. USB B TYPE

Series No.			
1	2	3	4
6	2	0	—

SINGLE PORT TYPE
RIGHT ANGLE

No. of
Contacts
5
4
4 Pin

Shell
Type
6
A
A: Standard
B: Front Touch
C: Screw Touch

Rear
Cover
7
M
M: With
Rear Cover
N: Without
Rear Cover

Contact Plated

8	9
S	1
T1: TIN	G1: Gold Flash S1: Gold Flash
G2: 3u" Gold S2: 3u" Gold	G3: 5u" Gold S3: 5u" Gold
G4: 10u" Gold S4: 10u" Gold	G5: 15u" Gold S5: 15u" Gold
G6: 30u" Gold S6: 30u" Gold	(G: Full Gold)(S: Selective Gold)

Plastic
Color
10
B
B: BLACK
W: WHITE

Branding
11
A
A: Amco Mark
N: No Mark