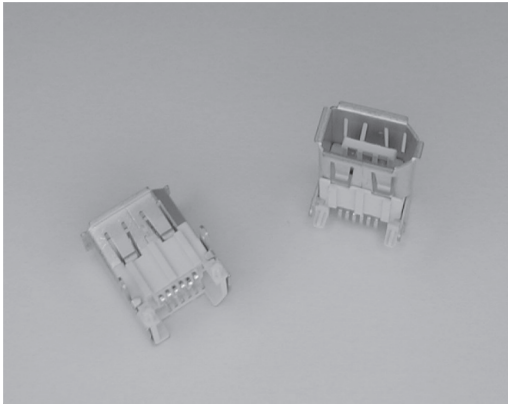


652/IEEE 1394 SMT Type



MATERIALS :

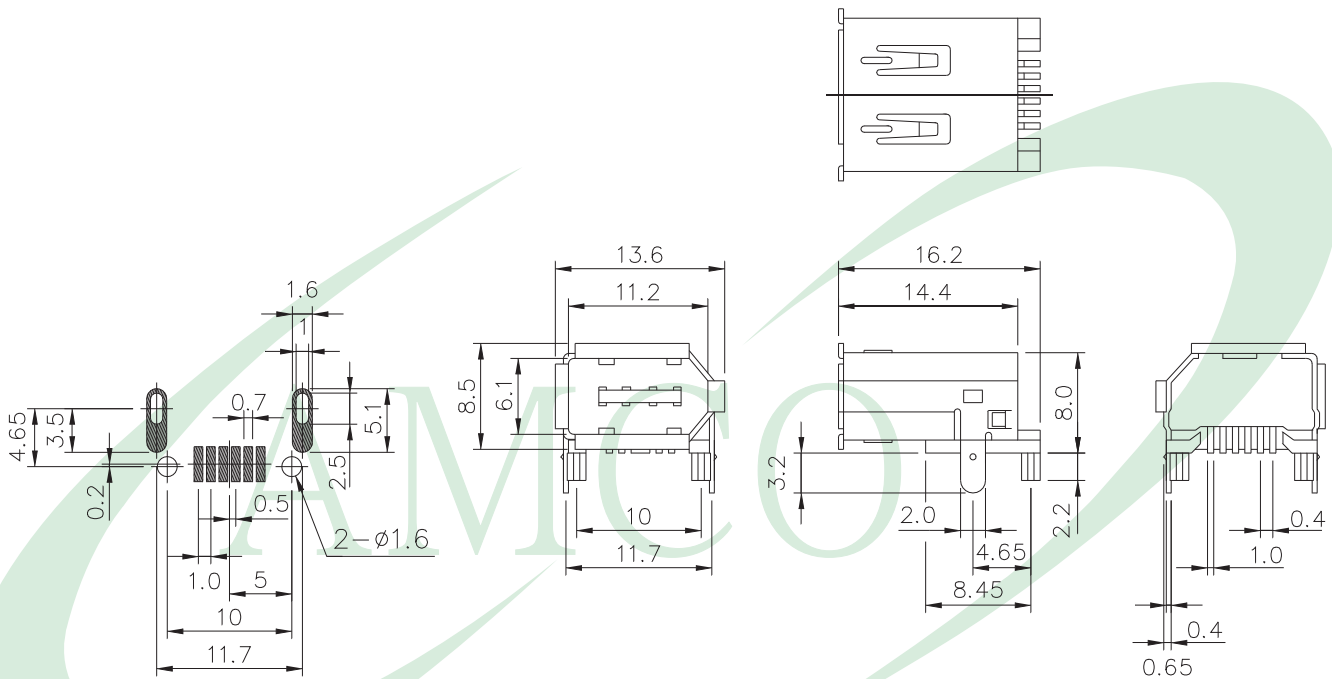
1. HOUSING : PBT UL 94V-0 RATED.
2. SHELL : COPPER ALLOY OR STEEL.
3. CONTACT : BRASS.

PLATING :

1. SHELL : 150u" MIN TIN OVER 50u" NICKEL.
2. CONTACT : 20u" Pd/Ni 2u" AU.

ELECTRICAL :

1. RATED VOLTAGE : 30V AC (R.M.S).
2. RATED CURRENT : 1A / CONTACT.
3. INSULATION RESISTANCE : 100 M MIN. AT 500V DC.
4. DIELECTRIC WITHSTANDING VOLTAGE : 500V AC.
5. CONTACT RESISTANCE : 30 M MAX.



P.C.B. LAYOUT

652. IEEE 1394

Series No.

| | | | |
|---|---|---|---|
| 1 | 2 | 3 | 4 |
| 6 | 5 | 2 | — |

HORIZONTAL
SMT TYPE

No. of
Contacts

5
6
6 Pin

Shielding

6
N
N: Without
Touch
W: Front Touch

Contact Plated

7 8
S 1
T1: TIN
G1: Gold Flash S1: Gold Flash
G2: 3u" Gold S2: 3u" Gold
G3: 5u" Gold S3: 5u" Gold
G4: 10u" Gold S4: 10u" Gold
G5: 15u" Gold S5: 15u" Gold
G6: 30u" Gold S6: 30u" Gold
(G: Full Gold)(S: Selective Gold)

Plastic

Color

9
B
B: BLACK
W: WHITE

Branding

10
A
A: Amco Mark
N: No Mark