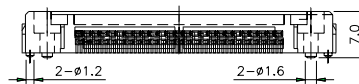
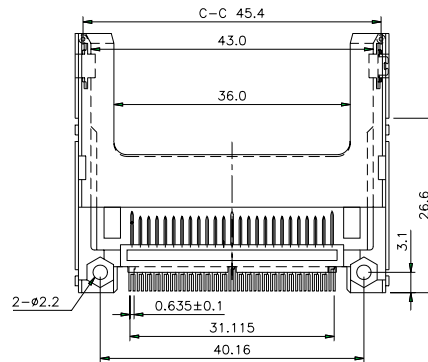
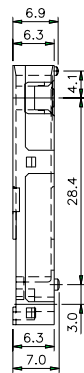
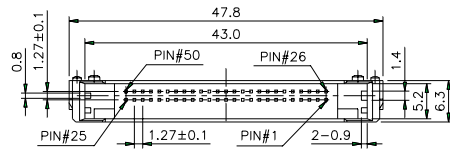


# CF Card 50Pin Receptacle .

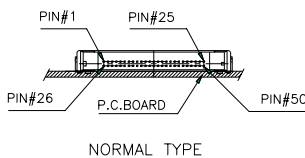
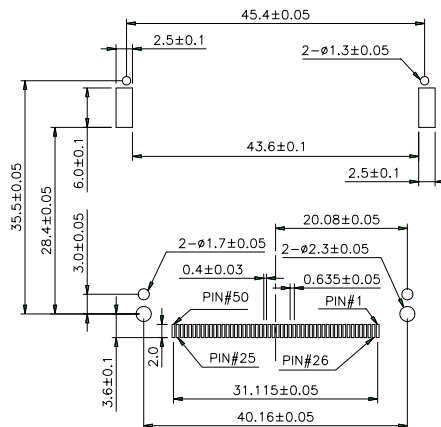


Material:  
 Housing Material : LCP UL94V-0  
 Contact Material : Brass (C268OR-EH)  
 Mount Ear : Brass (C268OR-H) , Tin Plated.  
 Contact Plating : Gold Flash Plating Over  
 40u" Nickel.  
 Solder Plating : 100u" Tin Plating Over 40u"  
 Nickel

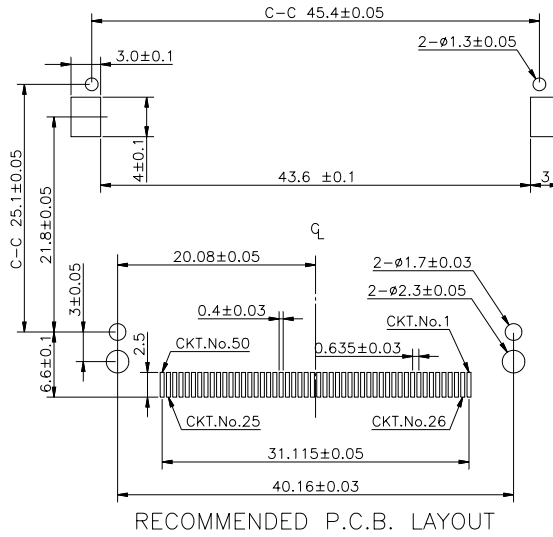
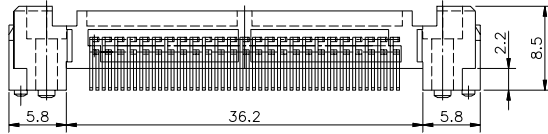
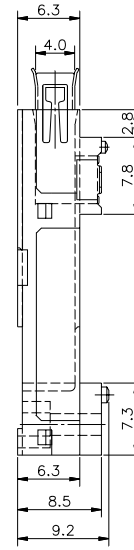
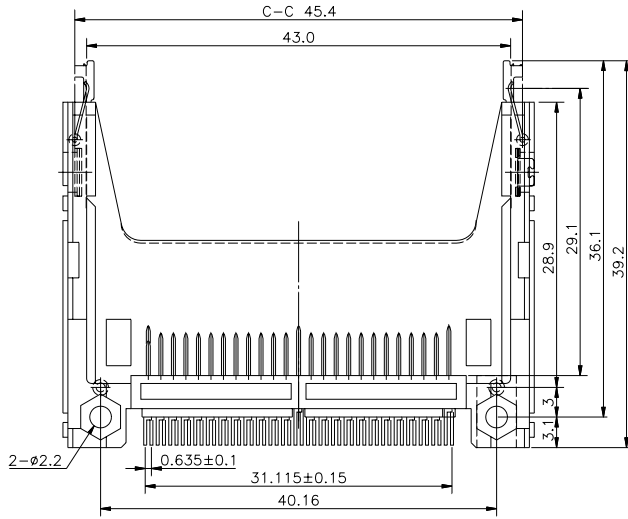
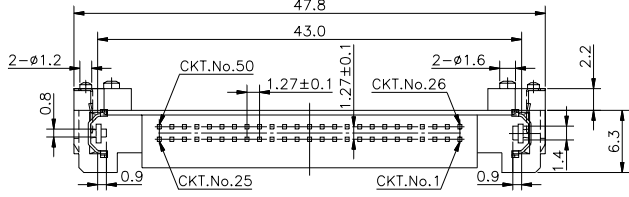
## Male



## SMT Type (A)



RECOMMENDED P.C.B. LAYOUT



## SMT Type (B)

### How To Order

Series No.	Plastic Type	Contact Type	Thickness	Style	Stand off	Mounting Type	Contact Plated	Branding
<b>C F 5 0</b>	<b>R</b>	<b>M</b>	<b>1</b>	<b>A</b>	<b>W</b>	<b>1</b>	<b>S 5</b>	<b>A</b>
50Pin Connector Receptacle Type	R:Receptacle	D:Straddle M:SMT	1.Type I 2.Type II	A B C ....	w:With Stand off X:W/O Stand off	1.Normal Type 2.Reverse Type	G1:Gold Gold flash G2:3u" Gold G3:5u" Gold G4:10u" Gold G5:15u" Gold G6:20u" Gold G7:30u" Gold (G: Full Gold) (S: Selective Gold)	S1: Gold Flash S2:3u" Gold S3:5u" Gold S4:10u" Gold S5:15u" Gold S6:20u" Gold S7:30u" Gold A: Amco Mark N: No Mark