

# 974 SERIES MEMORY STICK CONN. SMT TYPE

**MATERIALS:**

INSULATOR:LCP,UL94V-0

CONTACT:PHOSPHOR BRONZE

FINISH-CONTACTAREA:AU PLATED OVER NICKEL

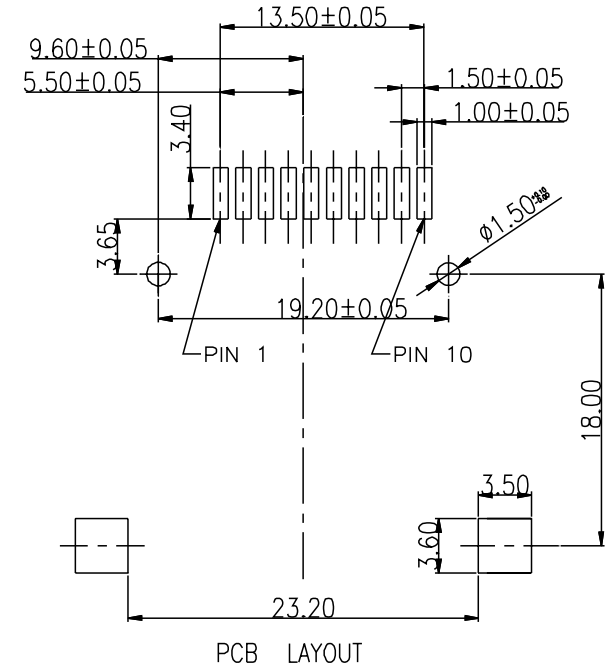
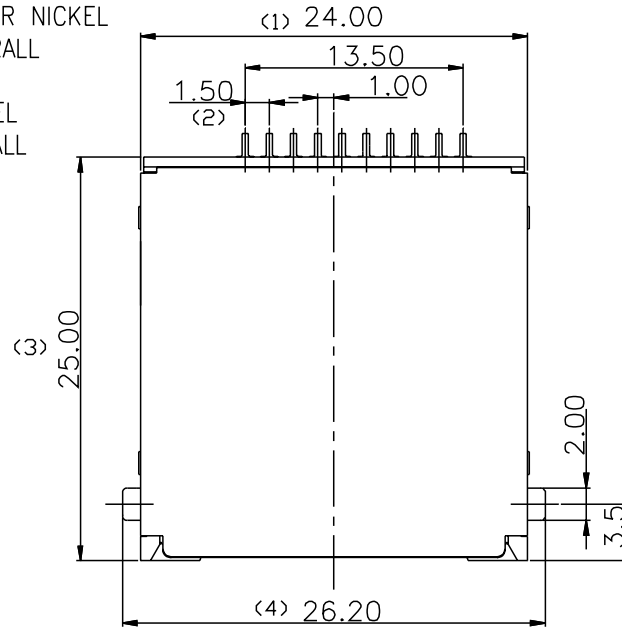
SOLDER TAIL:TIN/LEAD PLATED OVER NICKEL

UNDERPLATED:NICKEL PLATED OVERALL

COVER:STAINLESS STEEL

FINISH-SOLDER TAIL:AU PLATED OVER NICKEL

UNDERPLTED:NICKEL PLATED OVERALL

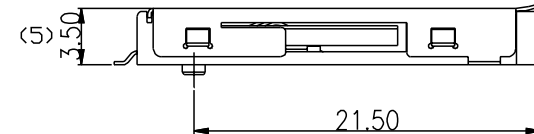
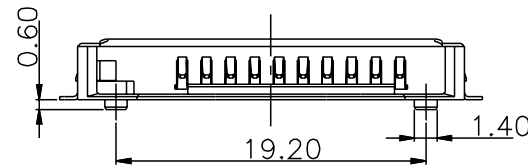


**ORDERING INFORMATION:**

974 - C 10 C 1 XX B

B: BLACK

- CONTACT PLATED
- S1: GOLD FLASH
- S2: 3u" GOLD
- S3: 5u" GOLD
- S4: 10u" GOLD
- S5: 15u" GOLD
- S6: 30u" GOLD
- (S: SLECTIVE GOLD)



**AMCO** 勳皇企業股份有限公司  
AMCO TEC INTERNATIONAL INC.

△			
△			
△			
△			
REV.	ECN.NO.	NAME	DATE

DIMENSION CLASSIFICATION	
◎:CRITICAL	○:MAJOR ( ):REFERENCE
DWG PATH	C:\ROBER\9\974-0236
DWG NO:	974-0236.010
APP.	DATE
CHK.	
DR.	

PRODUCT CUSTOMER COPY	
SCALE	2:1
SHEET	
GENERAL TOLERANCE	
X.	.X ±0.30
.XX	±0.20
.XXX	±0.05
X.'	.X'
UNIT:MM	

PART NO:
DWG NAME:
<b>MEMORY STICK CONN. SMT TYPE</b>