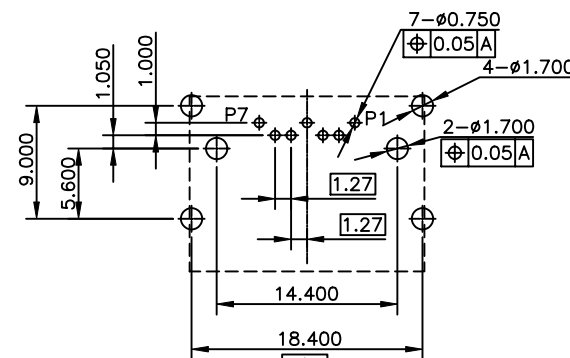
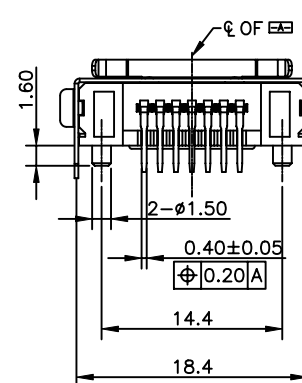
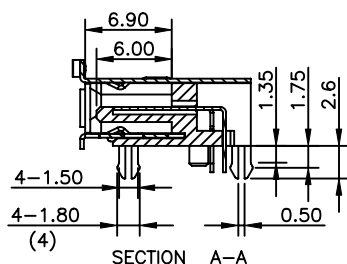
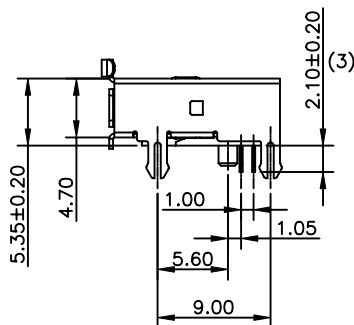
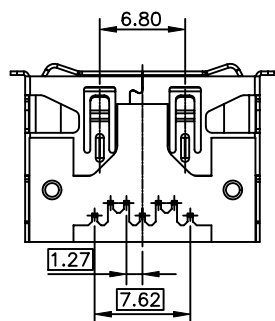
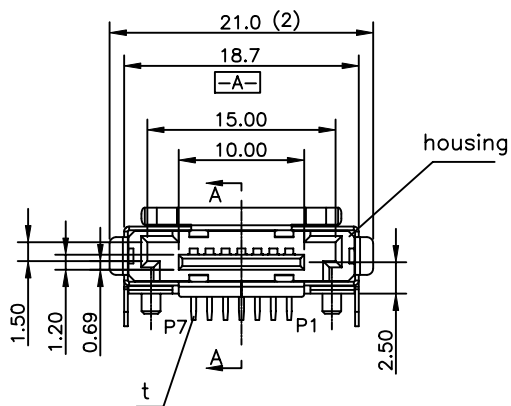
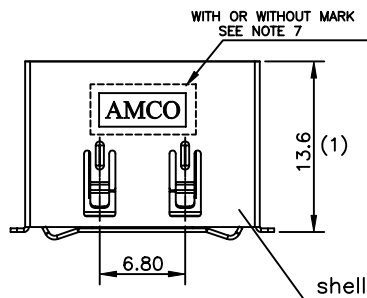
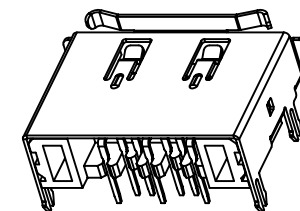
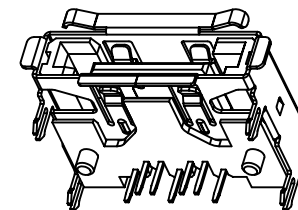


# T233 SERIES EXT SATA W/L

## NOTES:

1. MATERIAL:
  - 1.1.HOUSING:THERMOPLASTIC UL94V-0.
  - 1.2.TERMINAL:COPPER ALLOY.T=0.25mm
  - 1.3.SHELL:COPPER ALLOY T=0.30mm.
2. RoHS OR GP PASS AS THE REQUIRMENT OF CUSTOMER.
3. FINISH:
  - 3.1.TERMINAL:50u" MIN.Ni UNDERPLATINT OVERALL,  
100u" MIN.TIN PLATINT ON THE SOLDER AREA,  
3u" MIN.GOLD PLATINT ON THE TOUCH AREA.
  - 3.2.SHELL: 120u"MIN TIN ON THE SOLDER TAIL;  
50u"MIN Ni UNDERPLATED OVERALL.
4. SPECIFICATION:
  - 4.1.CURRENT RATING : 1.5A MAX PER PIN
  - 4.2.CONTACT RESISTANCE(LOW LEVEL):30m OHM MAX. INITIAL;
  - 4.3.INSULATION RESISTANCE:1000M OHM MIN.INITIAL;
  - 4.4.DIELECTRIC WITHSTANDING VOLTAGE:500VAC AT SEA LEVEL
  - 4.5.RETENTION FORCE:3N MIN.PER PIN
  - 4.6.DURABILITY:2500 CYCLES;
  - 4.7.OPERATING TEMPERATURE:-55°C TO 85°C;



ITEM	COLOR	P/N	NO MARK P/N
1	BLACK	233-100000-125	233-100000-128
2	ORANGE 166C	233-100000-126	233-100000-129
3	RED 185C	233-100000-127	233-100000-130

**AMCO** 勳皇科技股份有限公司  
AMCO TEC INTERNATIONAL INC.

REV.	ECN.NO.	NAME	DATE

DIMENSION CLASSIFICATION		
◎:CRITICAL	⊙:MAJOR	( ):REFERENCE
DWG PATH C:\ROBER\2\T233-0375		
DWG NO:	T233-0375.010	DATE
APP.	WILLIAN	09-06-07
CHK.	ROBER	09-06-07
DR.	WENZI	09-06-07

PRODUCT CUSTOMER COPY	
SCALE	SHEET
1:1	
GENERAL TOLERANCE	
X.	.X ±0.30
.XX	±0.20
.XXX	±0.05
X.*	.X*

PART NO:
DWG NAME:
EXT SATA W/L



UNIT:MM