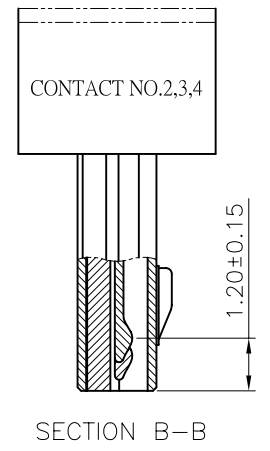
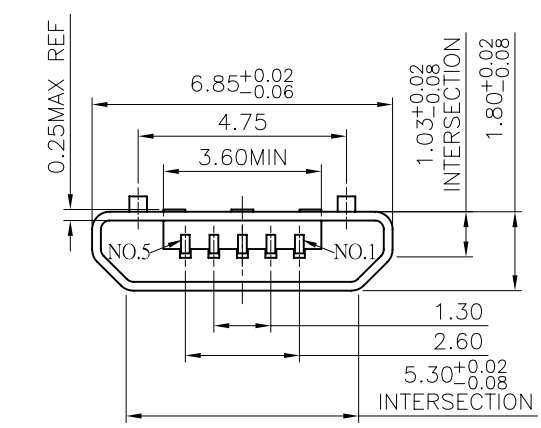
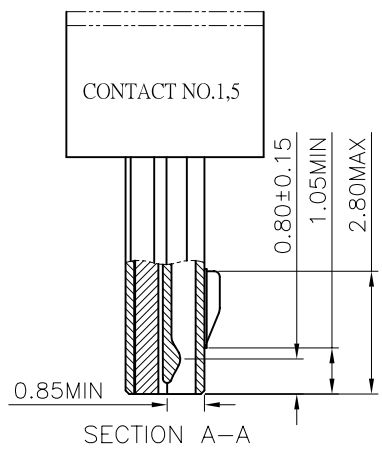
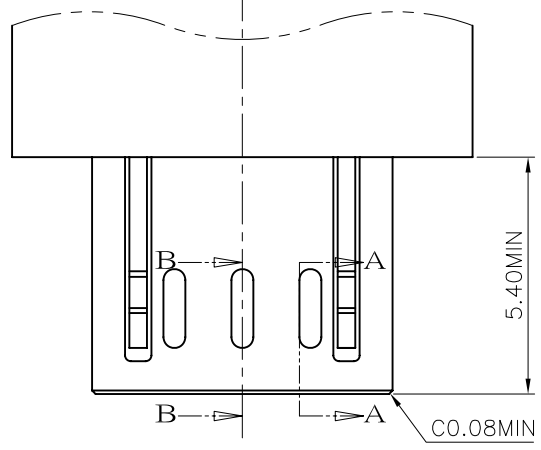
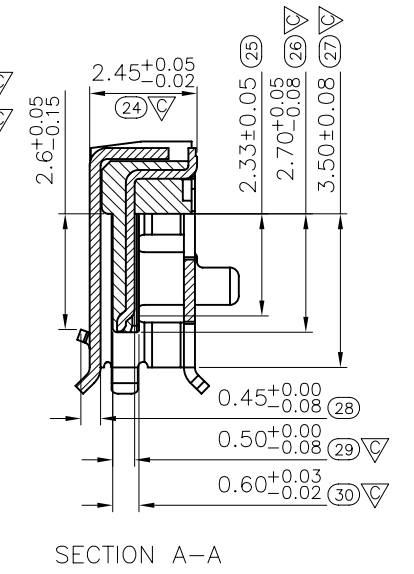
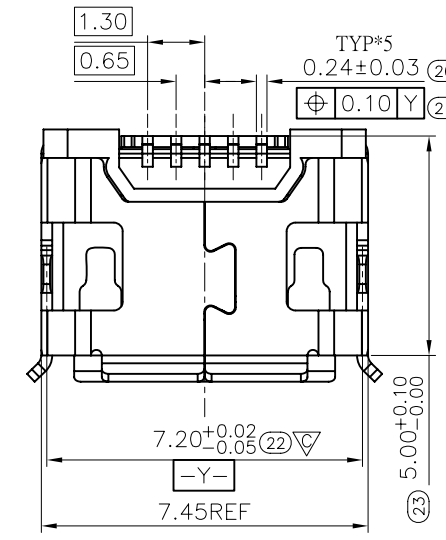
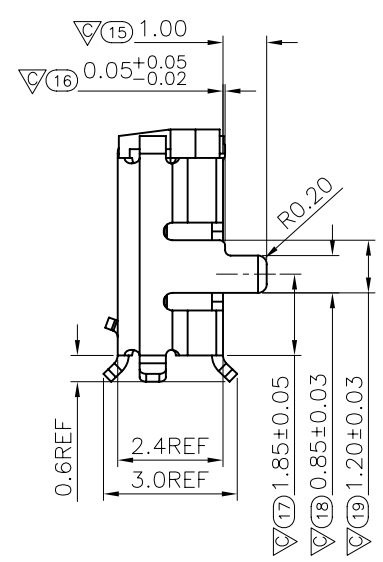
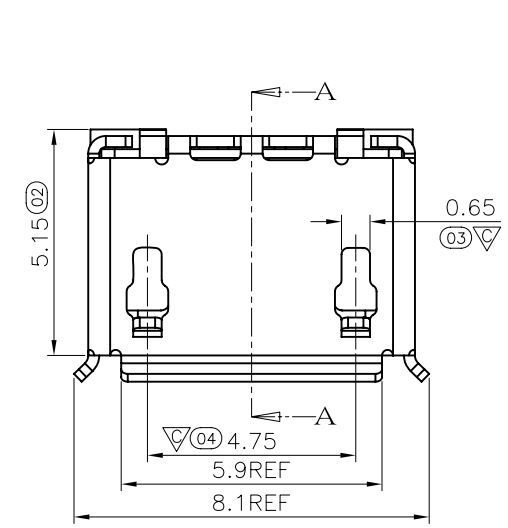
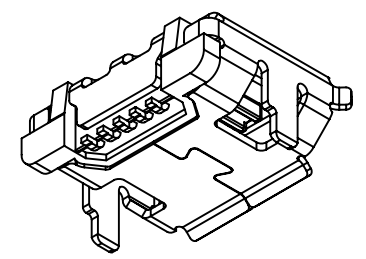
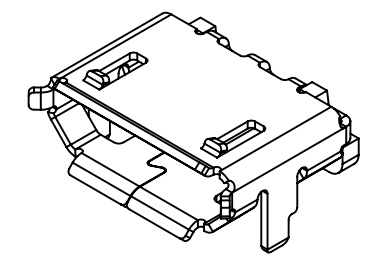
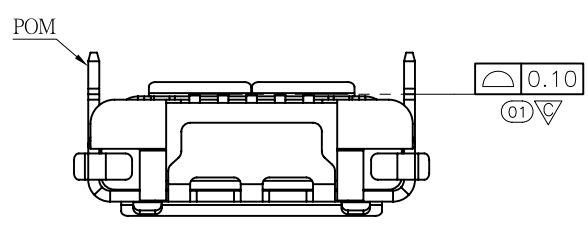
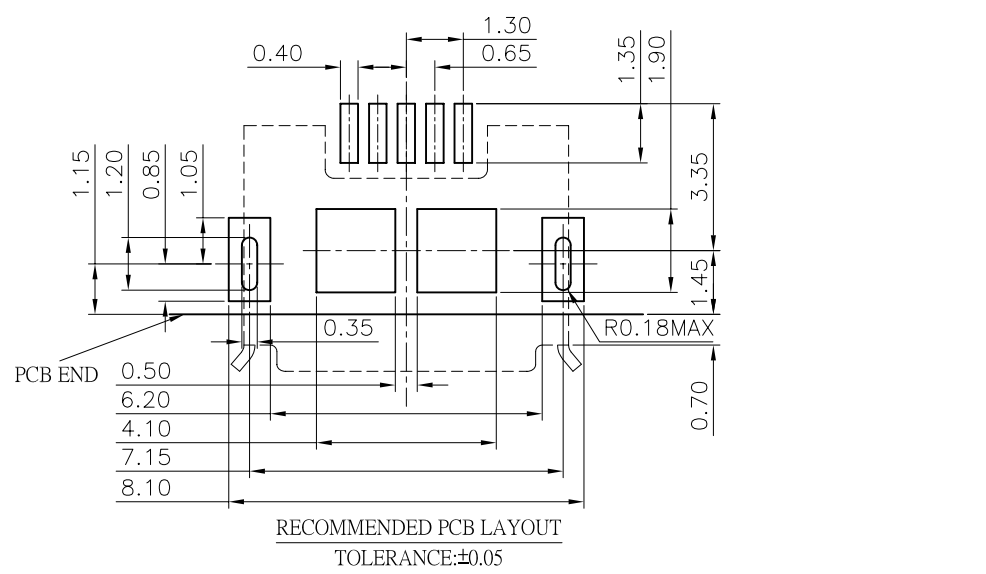
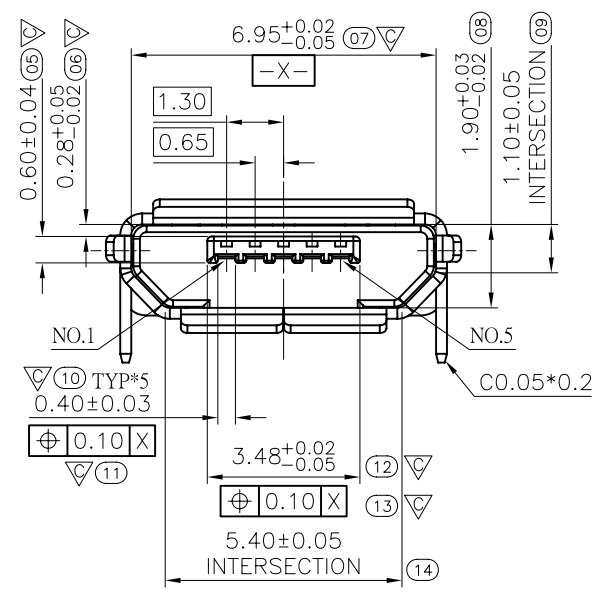


**RoHS PASS**

REV	ECN NO	LOCATIONS	DESCRIPTION	DATE	DESIGN
AO			INITIAL RELEASE	05/23'08	張浩



MATE PLUGS SPEC  
TOLERANCE: ±0.05



NOTES :

- MATERIAL  
MOLDING: LCP+30%GF; COLOR, BLACK.  
SHELL: SUS304-1/2H T=0.25±0.02mm.  
TERMINAL: PHOSPHOR BRONZE C5210-H T=0.20±0.02mm.
- FINISH  
SHELL: NICKEL UNDERPLATED OVERALL,  
TIN PLATING ON ALL SURFACE.  
TERMINAL: NICKEL UNDERPLATED OVERALL,  
GOLD PLATED ON CONTACT AREA.
- RoHS OR GP PASS AS THE REQUIREMENT OF CUSTOMER.
- ALL DIMENSION MARKED ∇ MUST BE CONTROLLED BY QC.
- ALL DIMENSION MARKED ⊗ SHOULD BE MEASURED BY FAI.
- "POM" IS THE POINT OF MEASURE FOR PLATING.
- P/N:  
211-1005X1-009

- Contact Plated
- <2> 5u" GOLD
- <3> 10u" GOLD
- <4> 15u" GOLD
- <5> 30u" GOLD

BOM :

3	080-1211X0-013	MOLDING	1/1	LCP+30%GF; COLOR, BLACK.
2	050-12111X-010	TERMINAL	1/1	PHOSPHOR BRONZE C5210-H T=0.20±0.02mm.
1	051-121157-020	SHELL	1/1	SUS304-1/2H T=0.25±0.02mm.
NO	P/N	NAME	Q'TY	MATERIAL

**AMCO** 昆山捷皇電子精密科技有限公司  
**AMCO TEC INTERNATIONAL INC**

DRAW NO:	DATE:	MATERIAL: SEE NOTES	DRAW NAME:
DESIGN:		FINISH: /	MICRO USB B TYPE DIP(NO MARK) -ASSEMBLY DRAWING
CHECK:		FILE: /	MODEL:
REVIEW:		P/N NO: SEE NOTES	UNIT: mm
APPROVED:		REV: AO SCALE: N/A	SHEET 1/1

DIM	TOL	DEC	TOL
X		X'	±1'
X.X	±0.10	X.X'	
X.XX	±0.05	X.XX'	
X.XXX		X.XXX'	